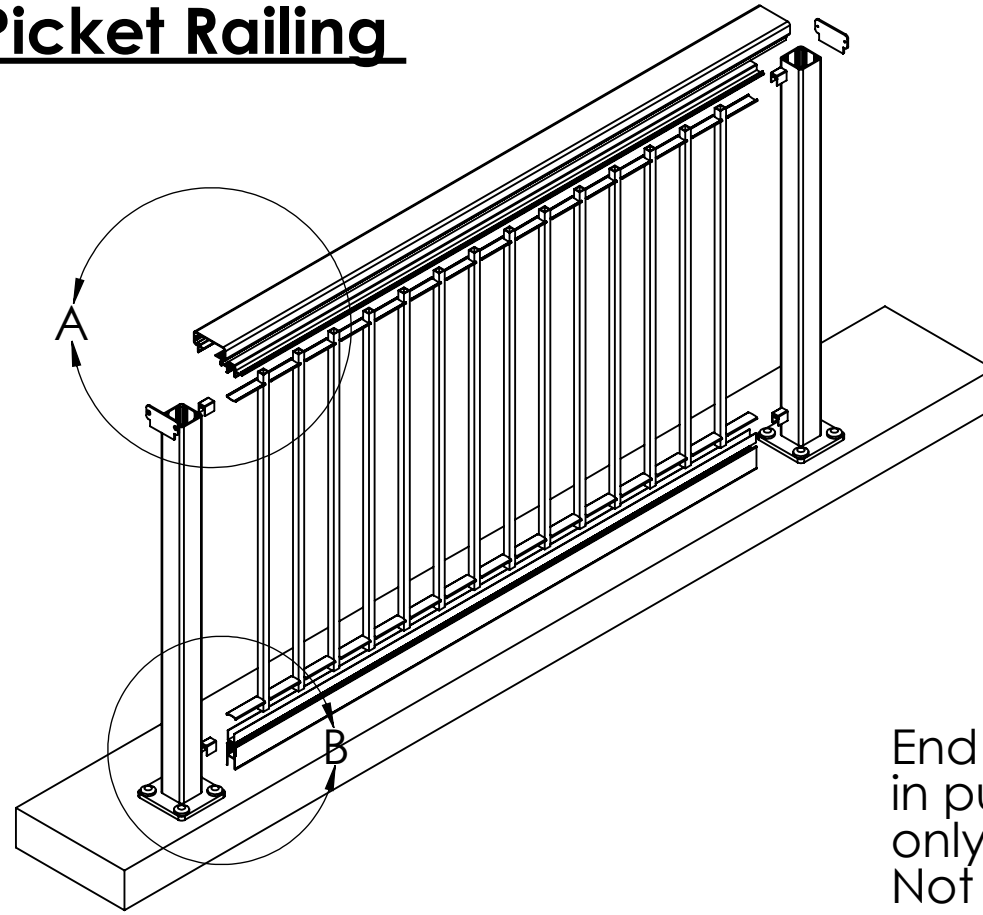


Example of 5' Section of Picket Railing

Notes:

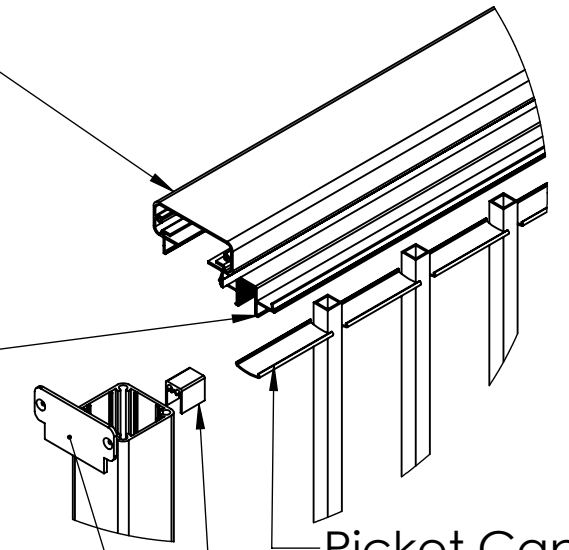
- 1) Use PDF as reference when ordering a railing system from Tacoma Railing
- 2) Spacing of pickets is based of spacing of posts at 5' center to center.
- 3) View page 2 for Picket Railing System with **Round/Square Style Guardrails.**



Rectangle or Ellipse Guardrail

DETAIL A
SCALE 1 : 6

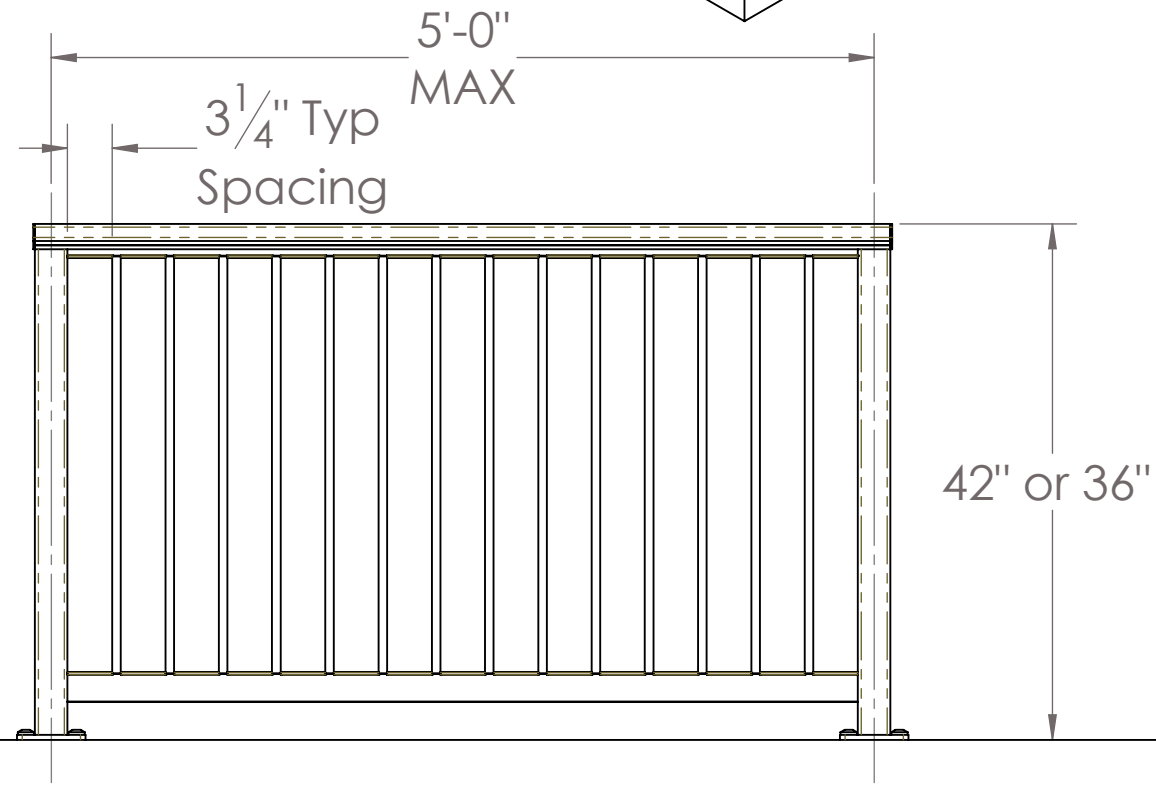
Picket Insert for Rectangle/Ellipse Guardrail



Picket Caps Typ.

Rail Supports
- Includes (2) Self Drilling Per Rail Support

End Caps - connection included in purchase. Note that end caps only go on the ends of the rail system. Not at every 5'.

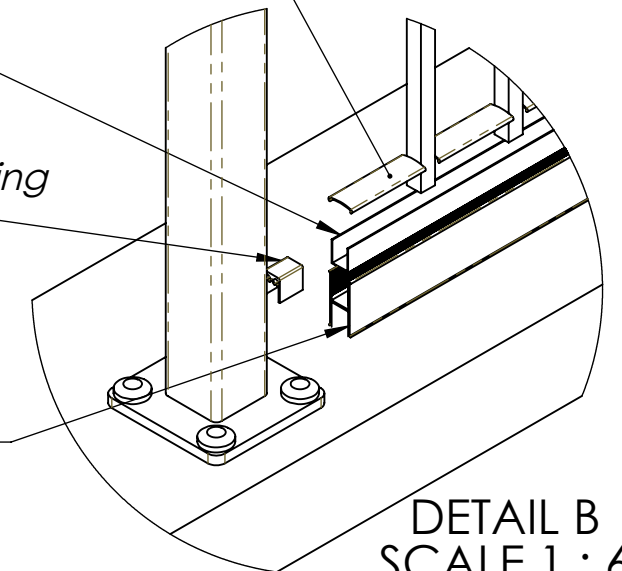


Picket Caps Typical

Plastic Insert

Rail Supports
- Includes (2) Self Drilling Per Rail Support

Lower Rail



DETAIL B
SCALE 1 : 6

DATE: Monday, February 14, 2022 12:26:21 PM

SIZE: **FOR CONSTRUCTION** REV

DRAWING NAME:
Picket Railing Assembly - DWG

DRAWN BY: **D. Baughman** SHEET 1 OF 2

Tacoma Railing
939 East F Street
Tacoma, WA 98421

Phone: 253-593-4710

E-Mail: Sales@tacomarailing.com



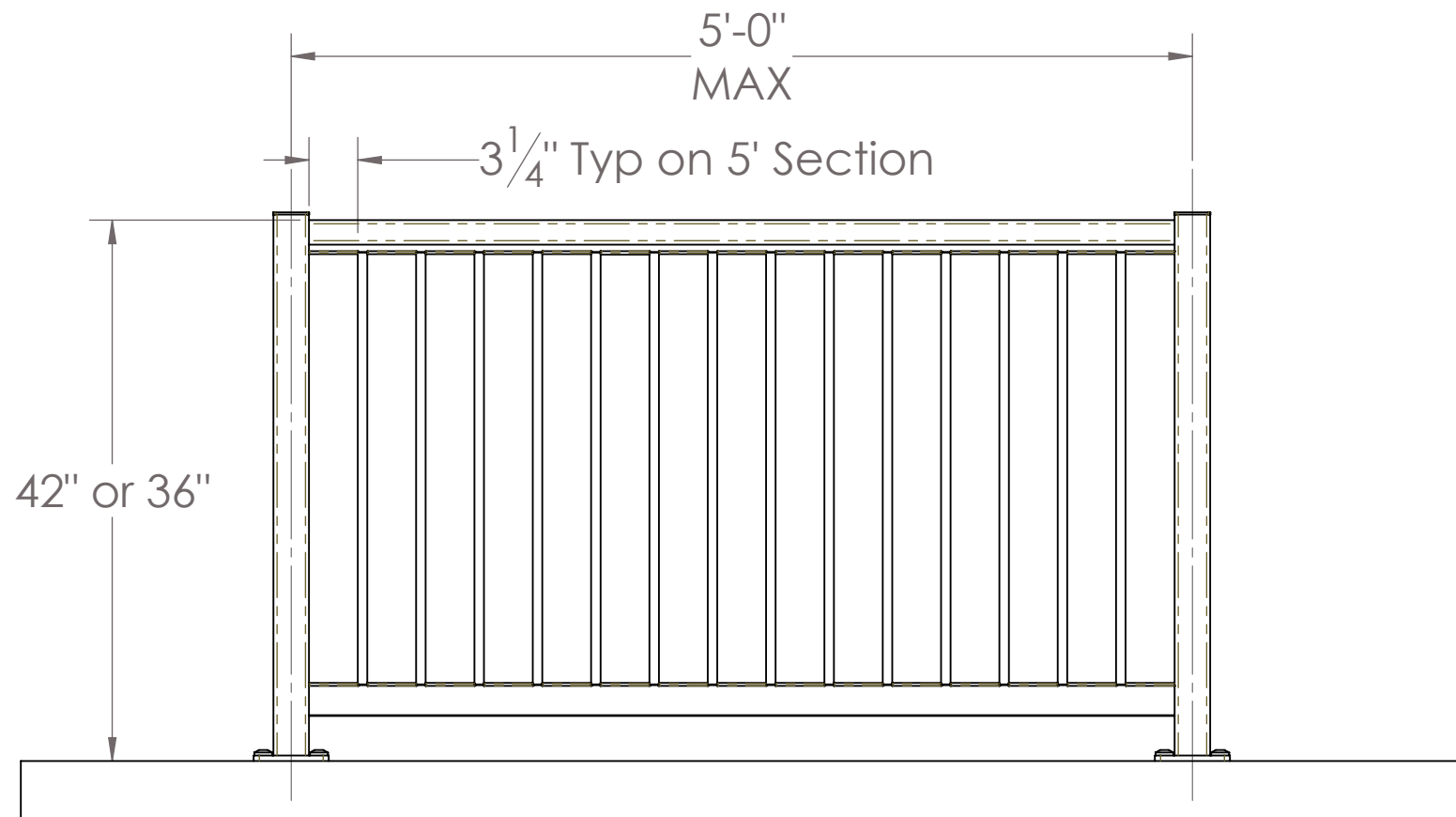
Example of 5' Section of Picket Railing

Notes:

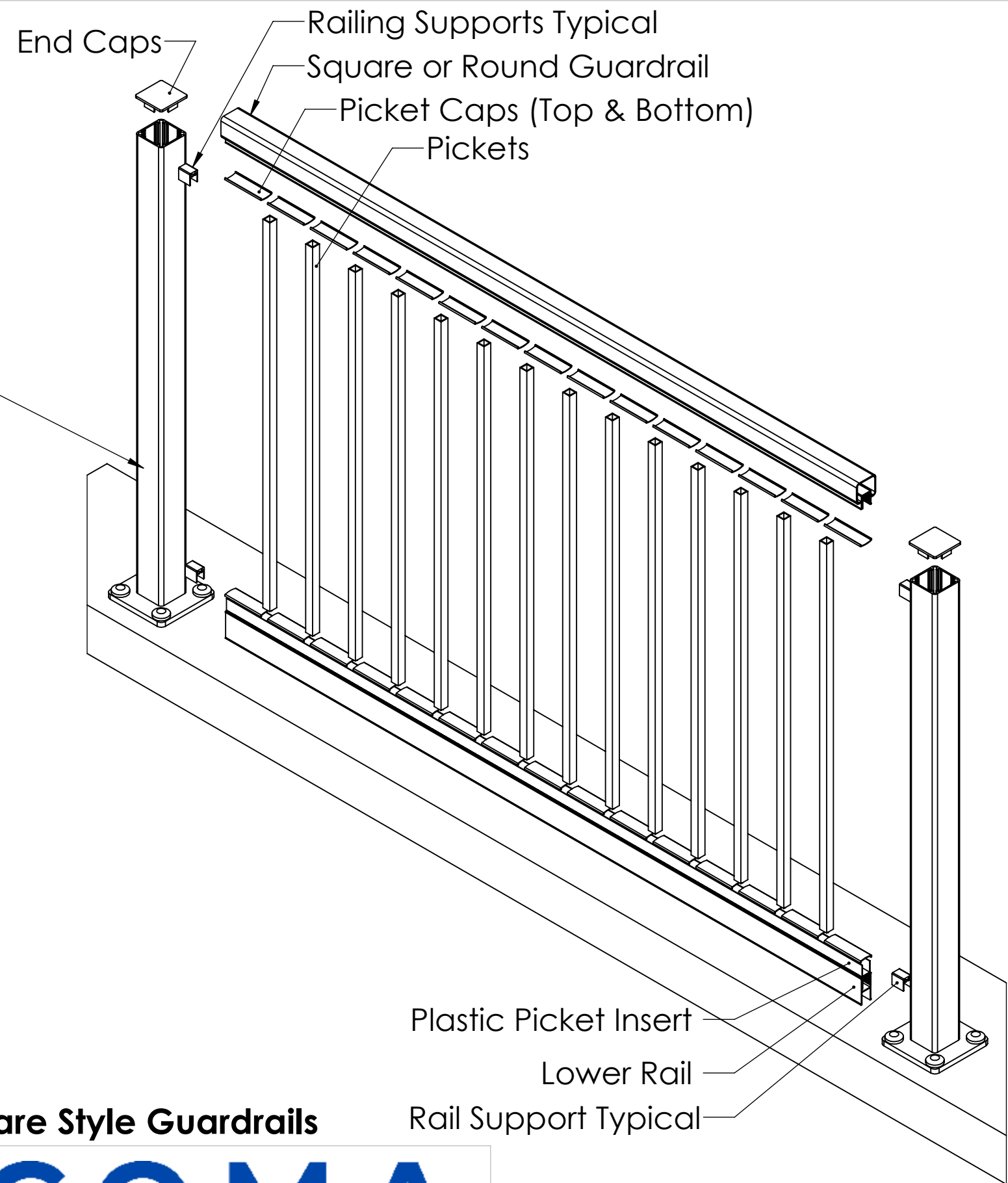
1) Use PDF as reference when ordering a railing system from Tacoma Railing

2) Spacing of pickets is based of spacing of posts at 5' center to center.

3) View page 1 for Picket Railing System with **Ellipse/Rectangle Style Guardrails**.



Post Assembly



Above is an example of Picket Railing System with Round/Square Style Guardrails

DATE: Monday, February 14, 2022 12:26:21 PM

SIZE: **FOR CONSTRUCTION** REV

DRAWING NAME:
Picket Railing Assembly - DWG

DRAWN BY: **D. Baughman** SHEET 2 OF 2

Tacoma Railing
939 East F Street
Tacoma, WA 98421

Phone: 253-593-4710

E-Mail: Sales@tacomarailing.com

