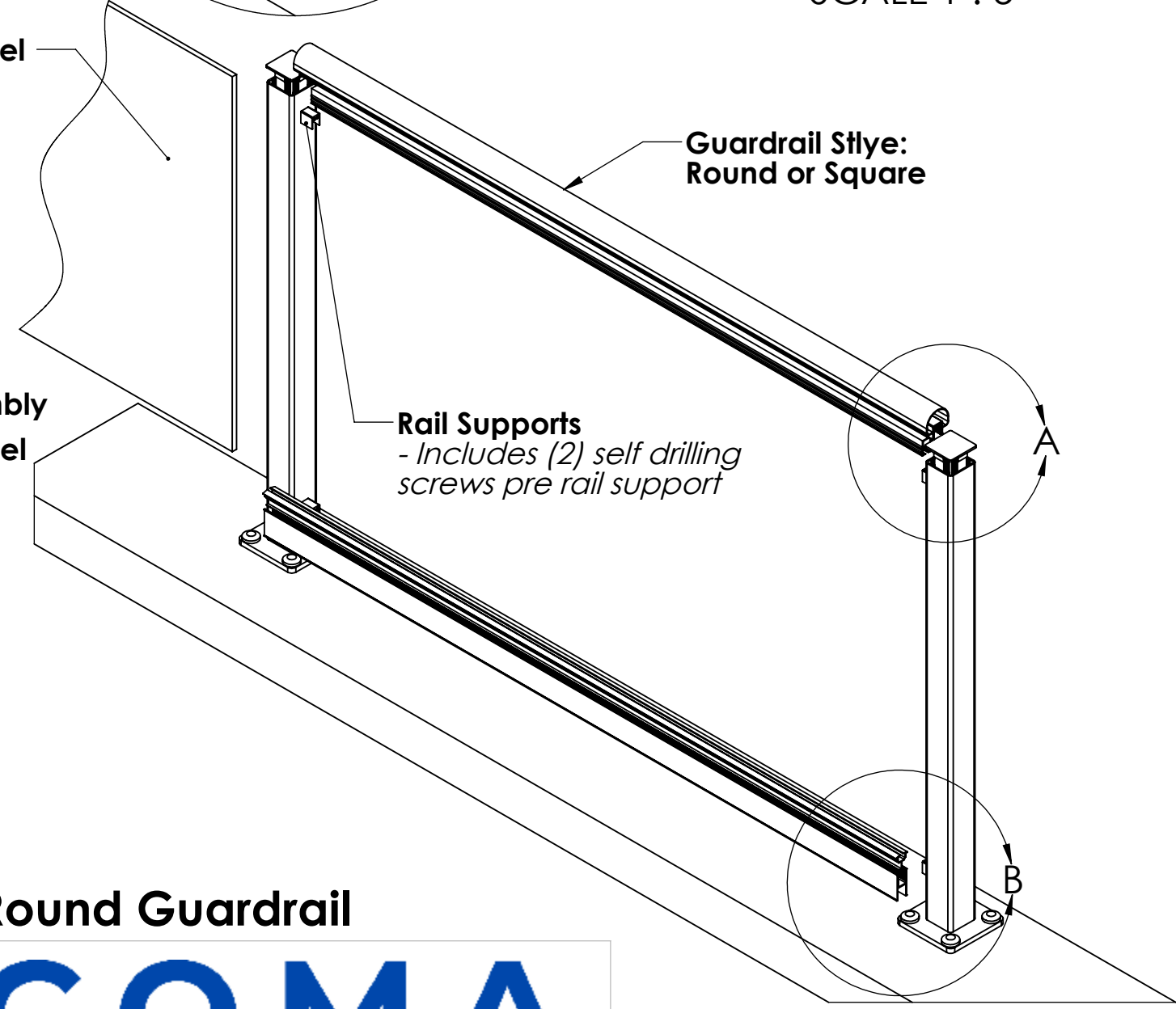
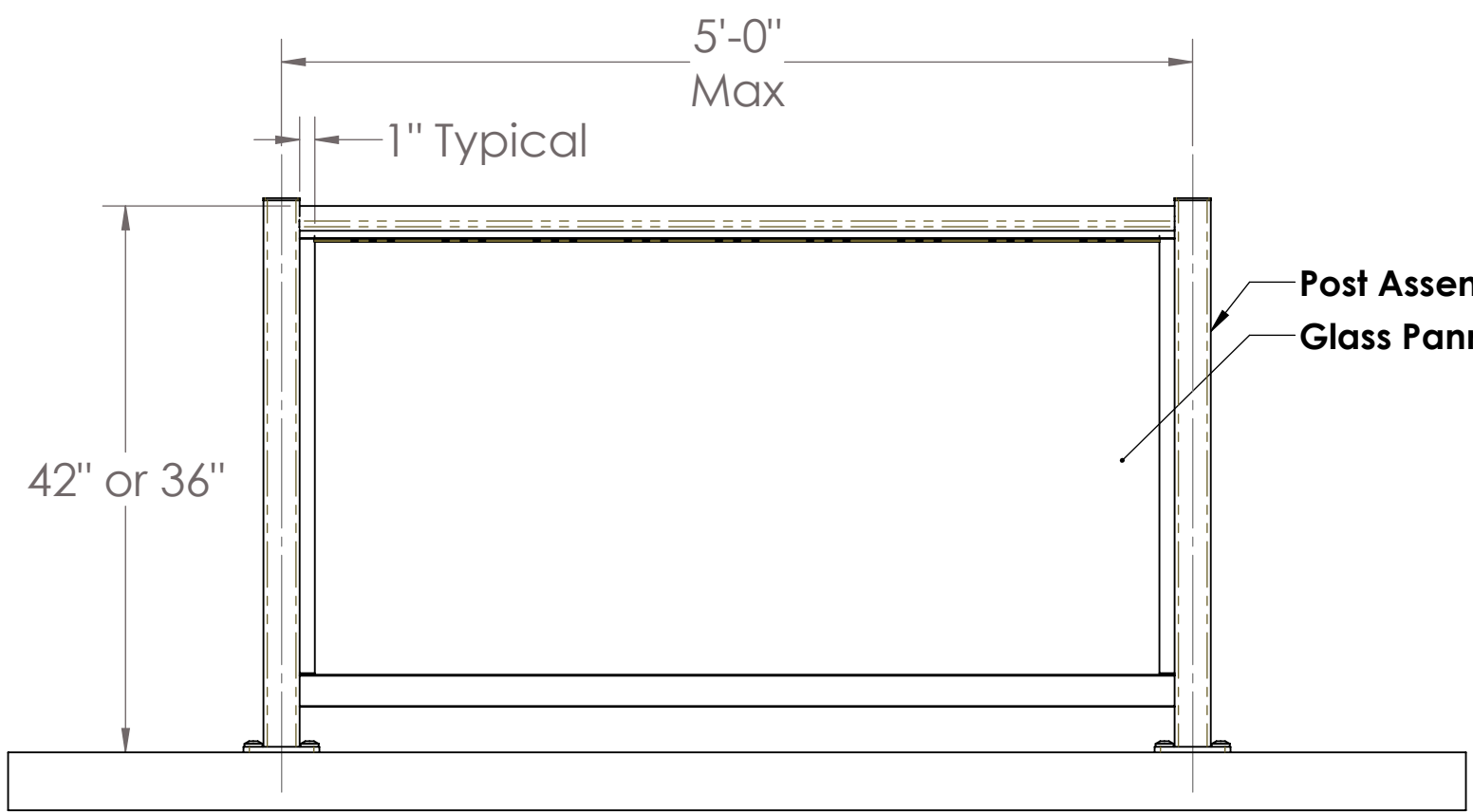
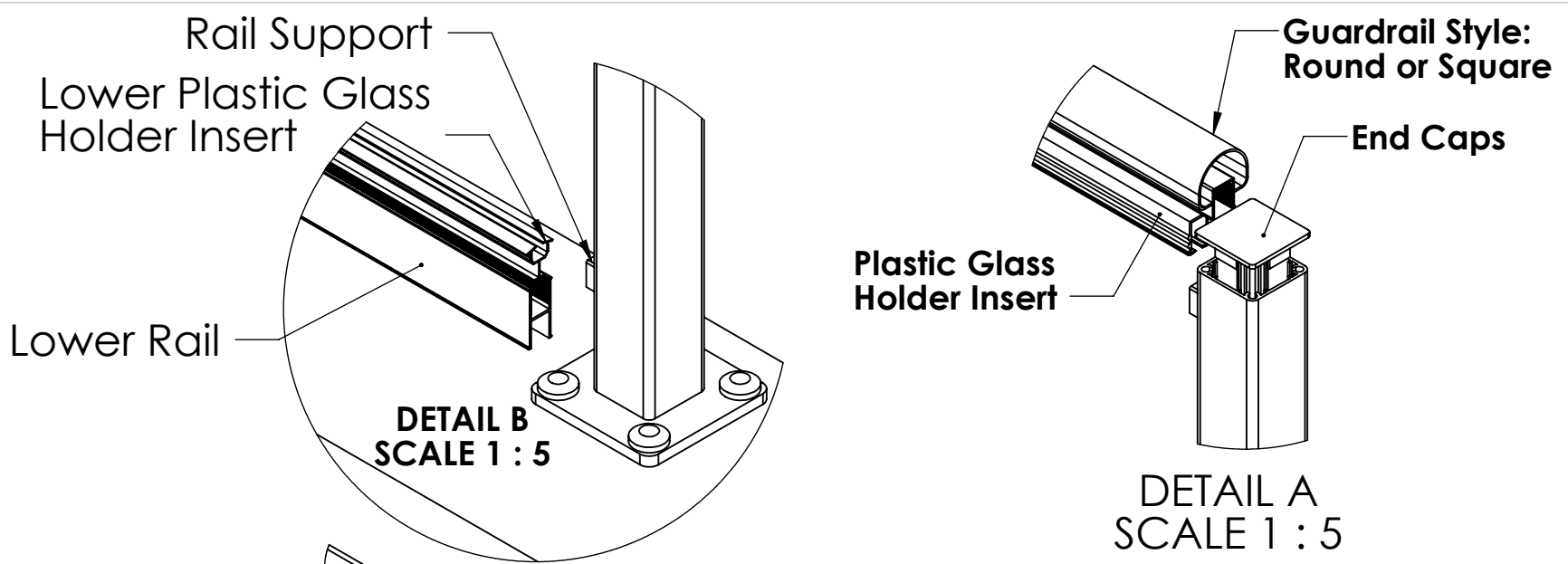


Example of 5' Section of Glass Railing

Notes:

- 1) Use PDF as reference when ordering a railing system from Tacoma Railing.
- 2) Spacing of Glass Panel should be at least 1" off inside face of post. Reference figure below.
- 3) View Page 2 for Glass Railing System with Ellipse/Rectangle Style Guardrails
- 4) Glass Railing are "Quote Only" due to glass panels; please contact us at sales@tacomarailing.com



Above is an example of Glass Railing Style with Square/Round Guardrail

DATE: Tuesday, February 15, 2022 2:23:33 PM		
SIZE	FOR CONSTRUCTION	REV
DRAWING NAME: Glass Rail Assembly Dwg pg 1-2		
DRAWN BY: D. Baughman		SHEET 1 OF 2

Tacoma Railing
 939 East F Street
 Tacoma, WA 98421
 Phone: 253-593-4710
 E-Mail: Sales@tacomarailing.com



Example of 5' Section of Glass Railing

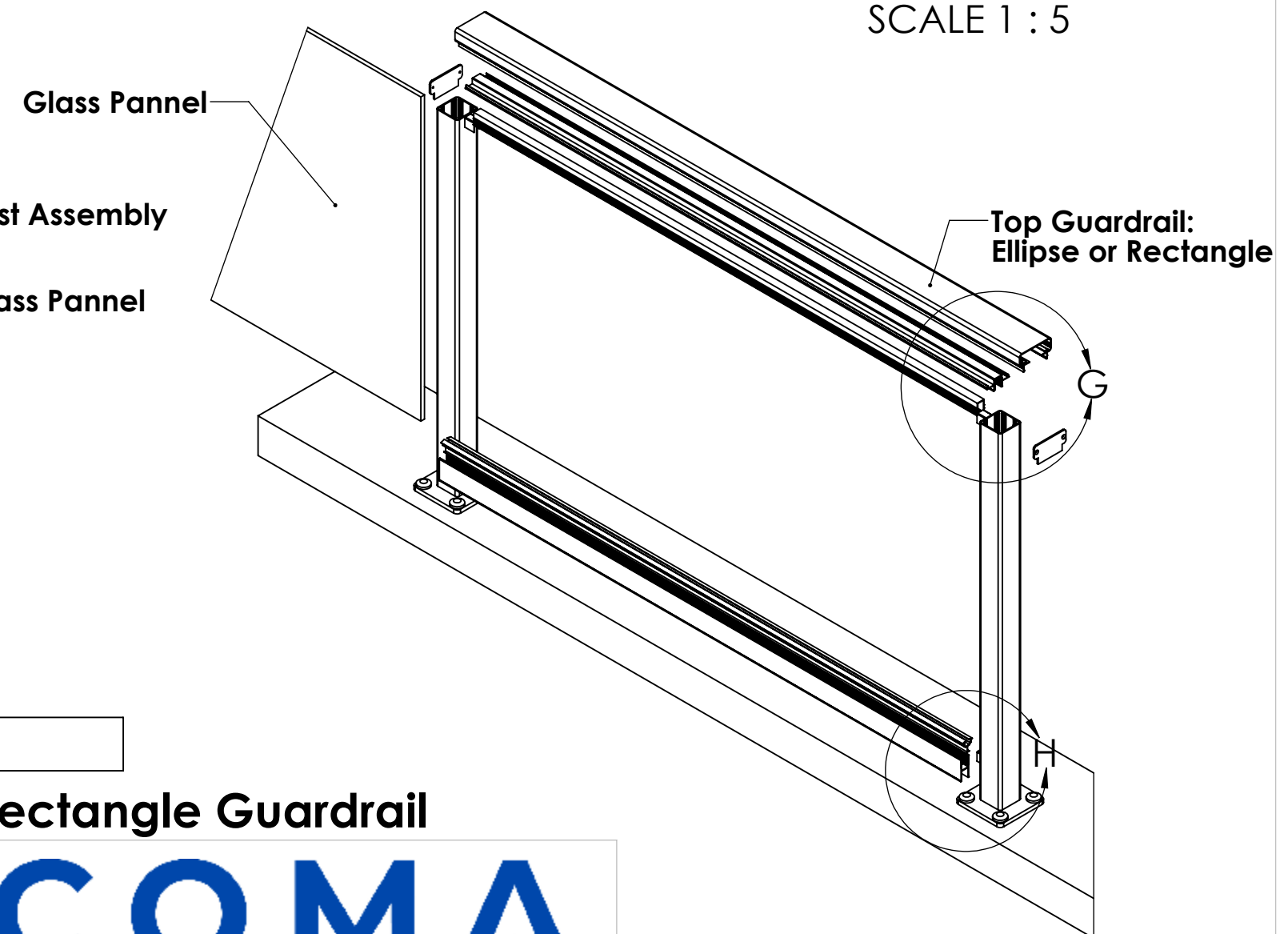
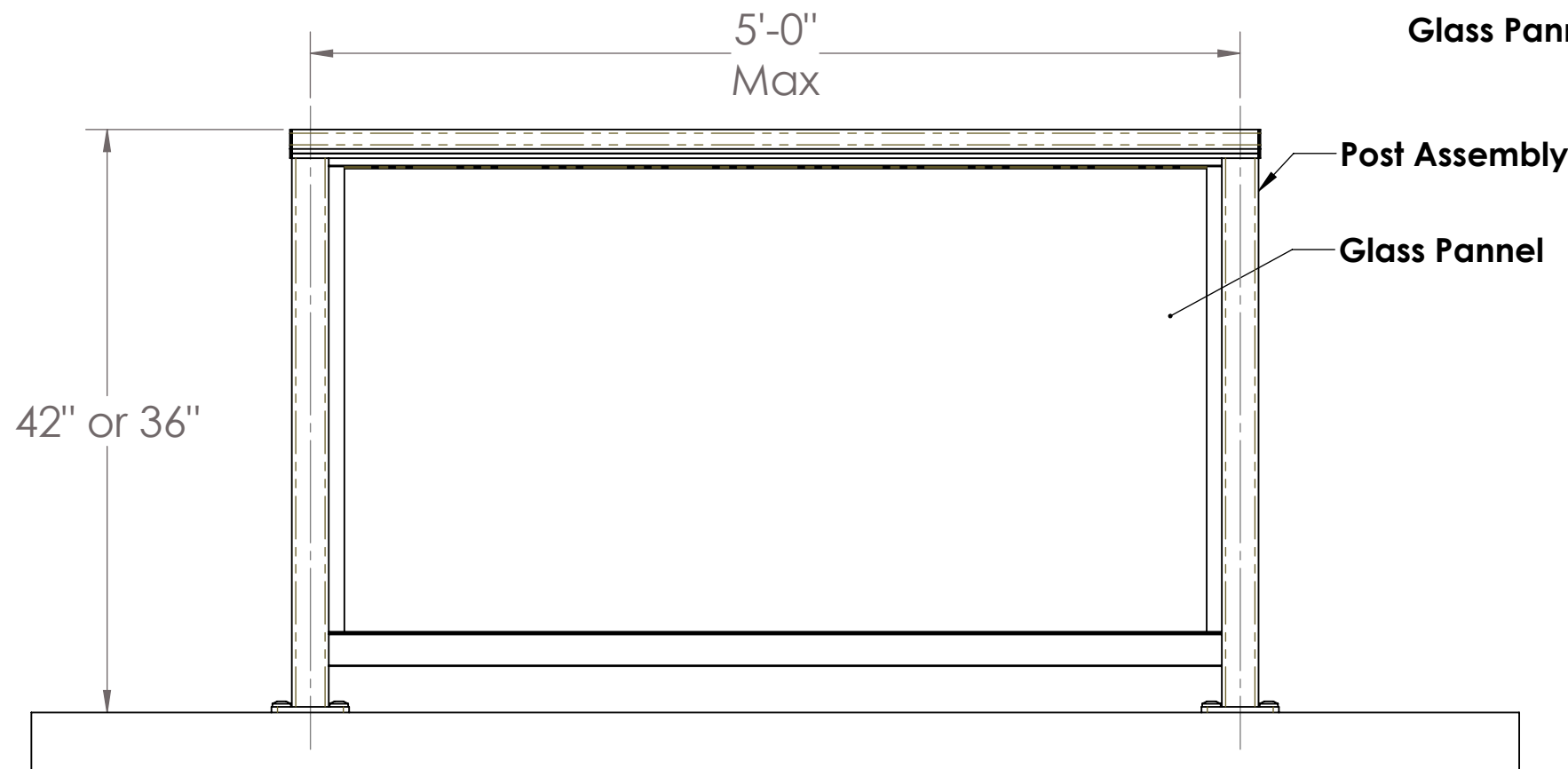
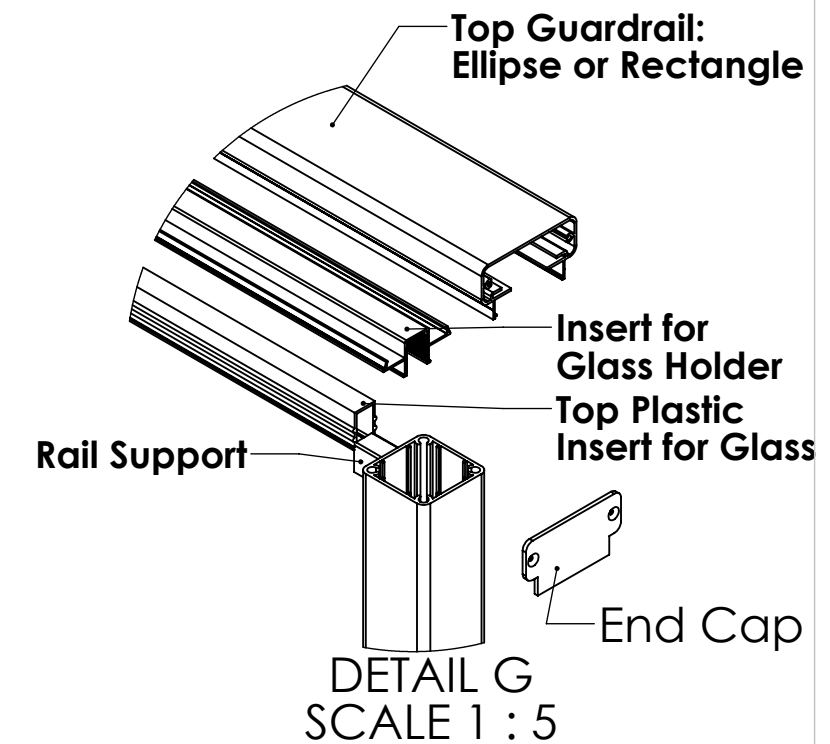
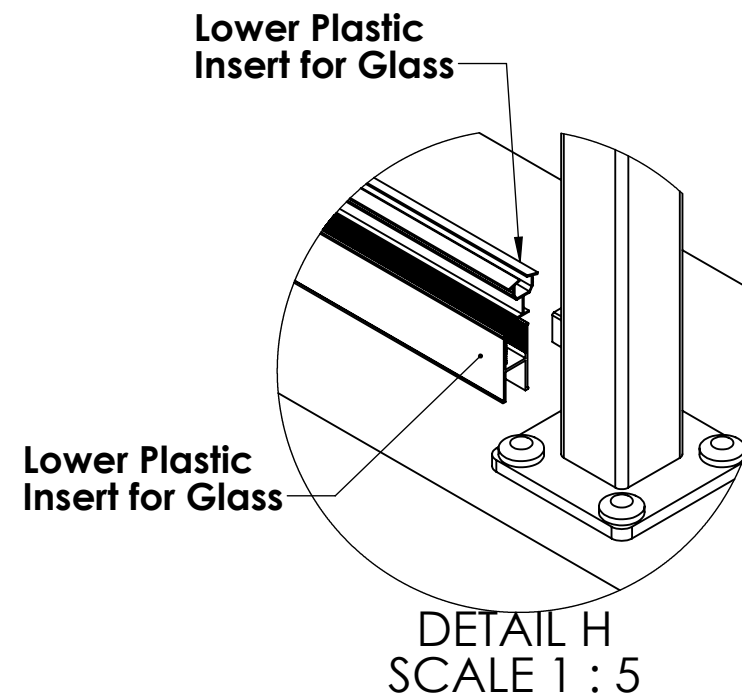
Notes:

1) Use PDF as reference when ordering a railing system from Tacoma Railing.

2) Spacing of Glass Panel should be at least 1" off inside face of post. Reference figure below.

3) View Page 1 for Glass Railing System with Round/Square Style Guardrails

4) Glass Railing are "Quote Only" due to glass panels; please contact us at sales@tacomarailing.com



Above is an example of Glass Railing Style with Ellipse/Rectangle Guardrail

DATE: Tuesday, February 15, 2022 2:23:33 PM		
SIZE	FOR CONSTRUCTION	REV
DRAWING NAME: Glass Rail Assembly Dwg pg 1-2		
DRAWN BY: D. Baughman		SHEET 2 OF 2

Tacoma Railing
939 East F Street
Tacoma, WA 98421

Phone: 253-593-4710

E-Mail: Sales@tacomarailing.com

