

Example of 5' Section - Cable Railing

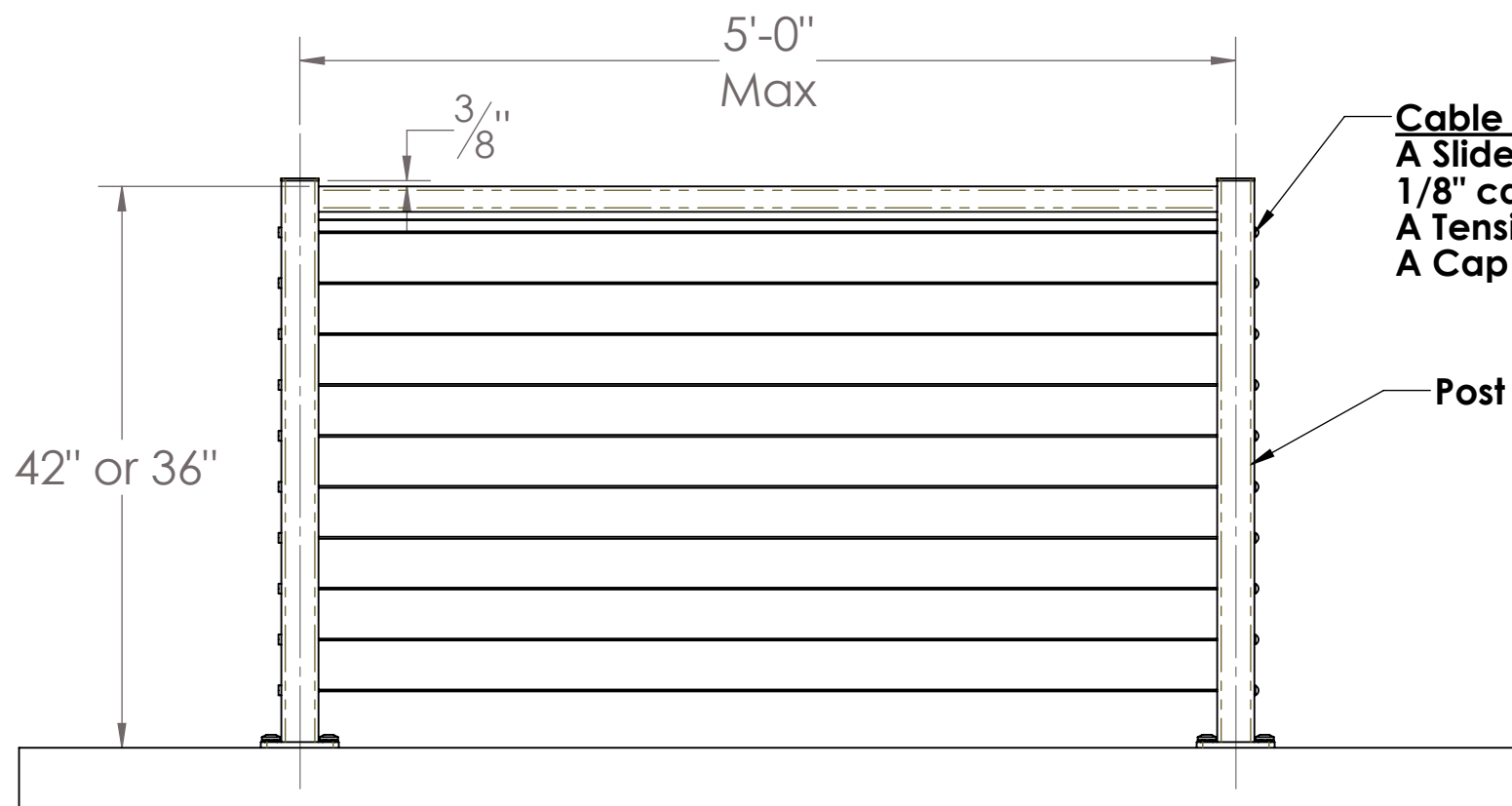
NOTES:

- Use PDF as reference when buying a railing system from Tacoma Railing

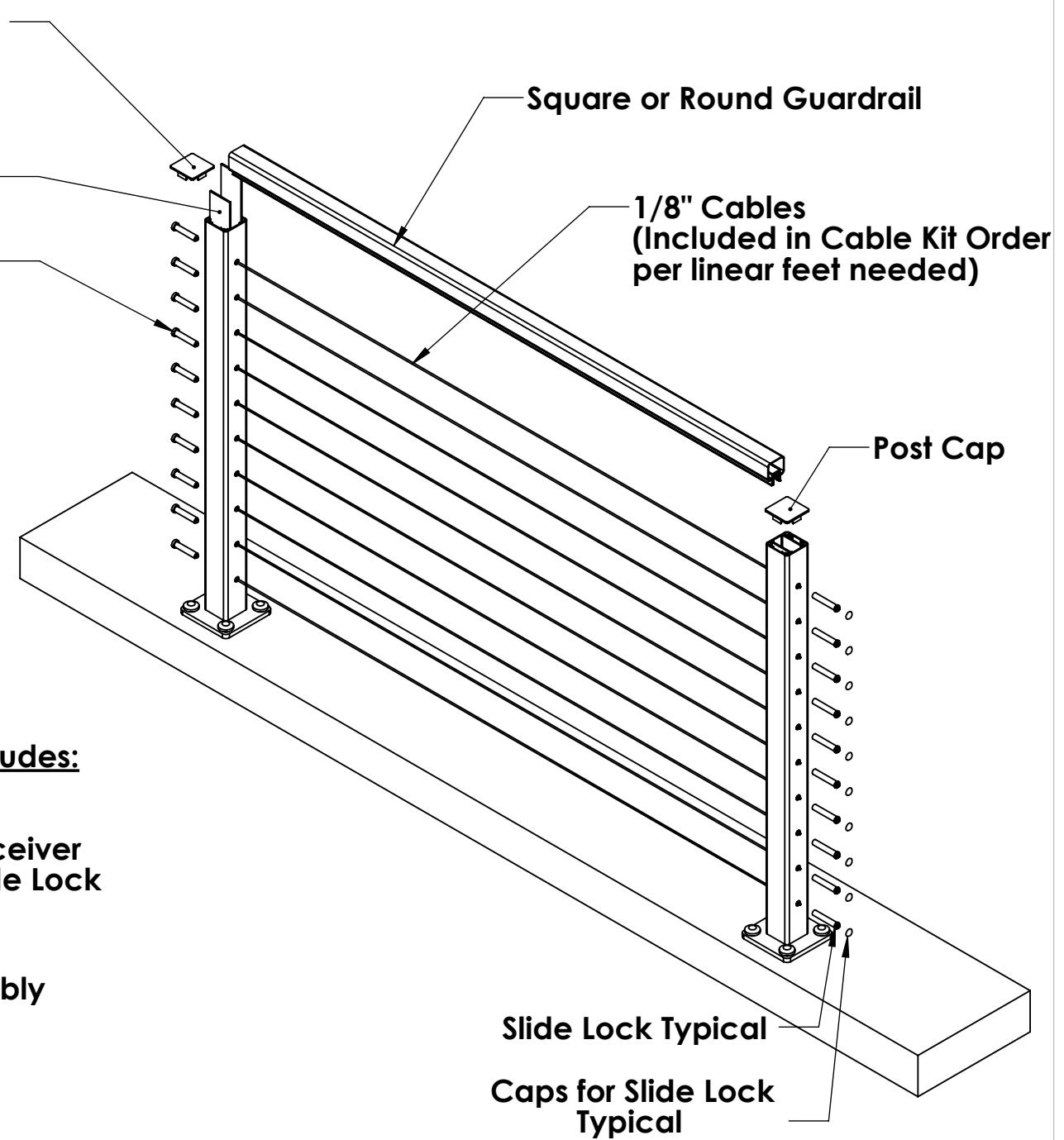
1) Top of guardrail will be either 42" or 36" from surface; view figure below

2) Post spacing "center to center" is 5' max; view figure below

3) View page 1 for example of Ellipse/Reactangle style guardrail with cable railing



Cable Kit Includes:
 A Slide Lock
 1/8" cable
 A Tension Receiver
 A Cap for Slide Lock



| | | |
|--|-------------------------|--------------|
| DATE: Monday, February 14, 2022 3:16:34 PM | | |
| SIZE | FOR CONSTRUCTION | REV |
| DRAWING NAME: Cable Railing Assembly - Ellipse DWG | | |
| DRAWN BY: D. Baughman | | SHEET 2 OF 2 |

Tacoma Railing
 939 East F Street
 Tacoma, WA 98421

Phone: 253-593-4710

E-Mail: Sales@tacomarailing.com

