

# Example of 5' Section - Cable Railing

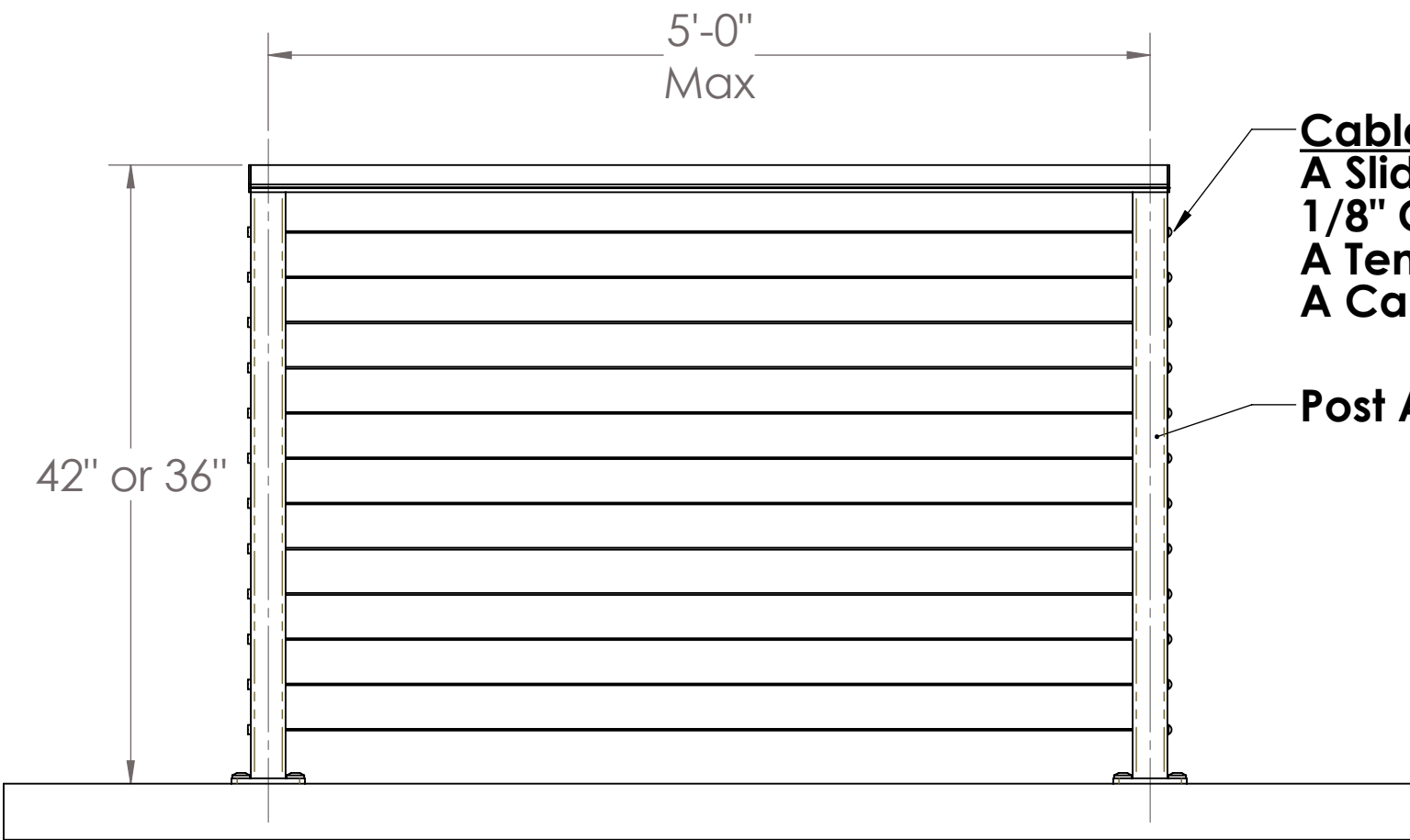
**NOTES:**

- Use PDF as reference when buying a railing system from Tacoma Railing

1) Top of guardrail will be either 42" or 36" from surface; view figure below

2) Post spacing "center to center" is 5' max; view figure below

3) View page 2 for example of Round/Square style guardrail with cable railing



End Post Stiffners - QTY (2)  
Pre End Post

Ellipse or Rectangle Guardrail

Flat Cap for Ellipse/Rectangle Guardrail

End Cap

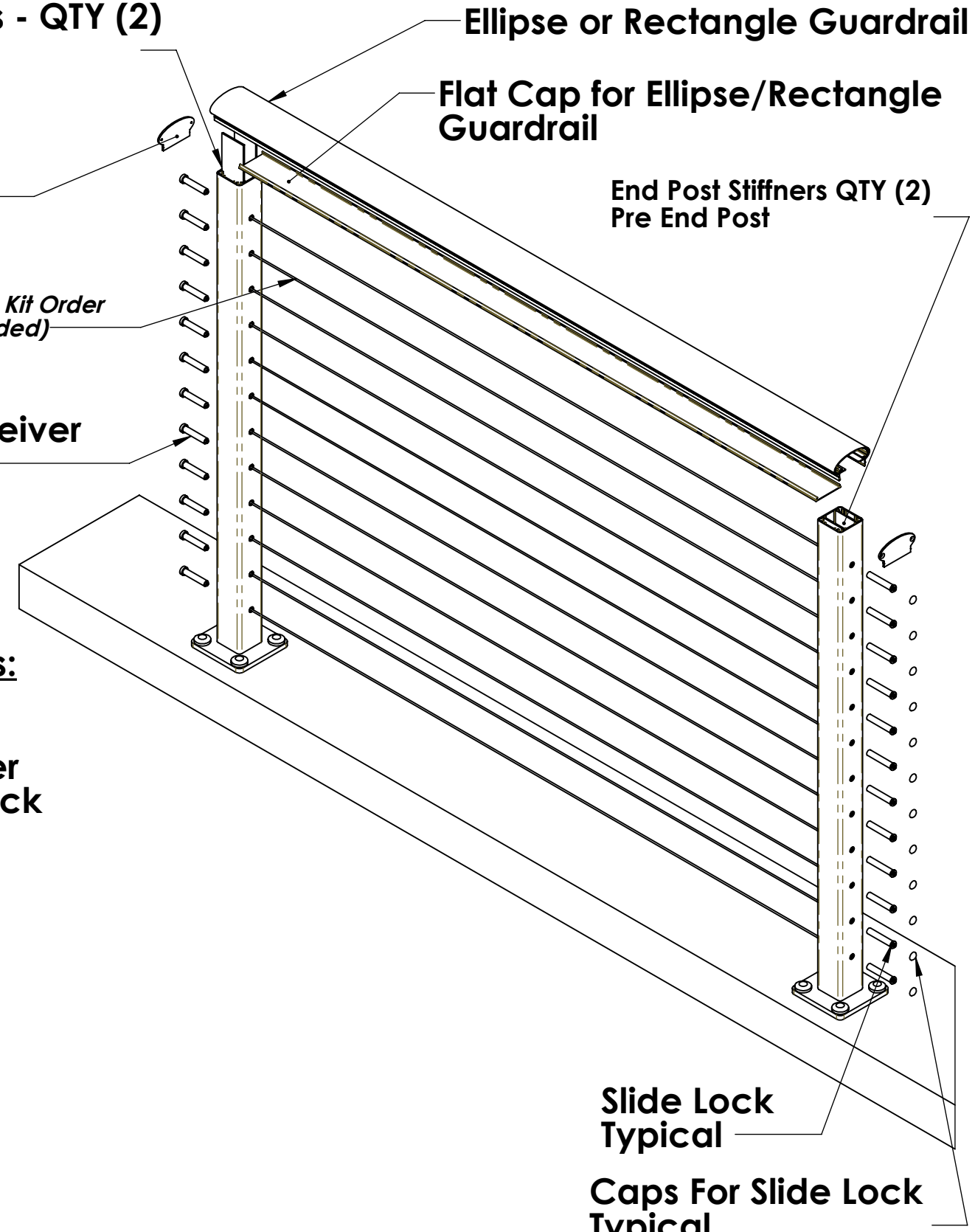
End Post Stiffners QTY (2)  
Pre End Post

1/8" Cables  
(Included in Cable Kit Order  
per linear feet needed)

Tension Receiver  
Typical

**Cable Kit Includes:**  
A Slide Lock,  
1/8" Cable,  
A Tension Receiver  
A Cap for Slide Lock

Post Assembly



Slide Lock  
Typical

Caps For Slide Lock  
Typical

DATE: Monday, February 14, 2022 2:29:15 PM

SIZE: **FOR CONSTRUCTION** REV

DRAWING NAME:  
**Cable Railing Assembly - Ellipse DWG**

DRAWN BY: **D. Baughman** SHEET 1 OF 2

**Tacoma Railing**  
939 East F Street  
Tacoma, WA 98421

Phone: 253-593-4710

E-Mail: Sales@tacomarailing.com

